

Two-way clamp mountings

Aluminium

SPECIFICATION

Aluminium

- matt, slide ground **MT**
- anodized, black **ELS**

Socket cap screws DIN 912
Stainless Steel AISI 304

INFORMATION

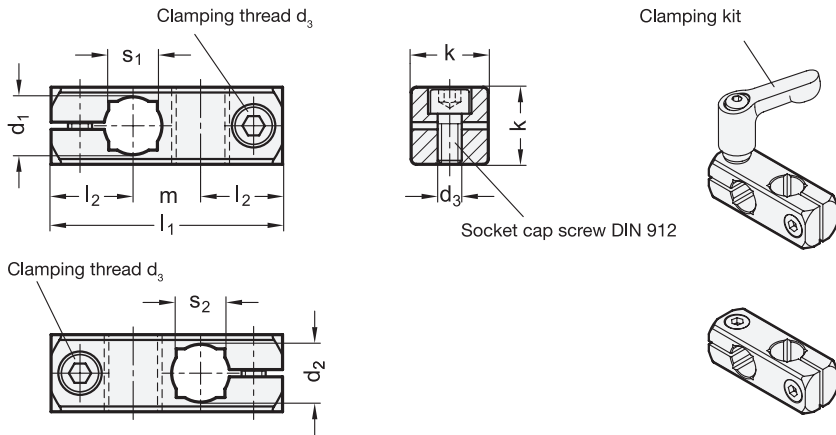
The standard version of the clamping screw is a socket cap screw with hexagonal socket DIN 912. It can be replaced by an adjustable clamping kit GN 511 (see page 1893) (see table of dimensions).

TECHNICAL INFORMATION

- Stainless Steel characteristics (see page A26)

ACCESSORY

- Clamping kits GN 511 (see page 1893)



* Complete with Finish of the Two-way clamp mountings (MT or ELS)

- | | |
|--------------------|-----------------|
| MT | ELS |
| matt, slide ground | anodized, black |

GN 474

Description	d1 For shaft tolerance h11	d2 For shaft tolerance h11	k	d3	l1	l2	m	s1	s2	Clamping kits for d3	⚖
GN 474-B8-B8-*	B 8	B 8	14	M 4	37	13.5	10	-	-	GN 511-M4-14	16
GN 474-B10-B10-*	B 10	B 10	16	M 5	46	17	12	8	8	GN 511-M5-16	25
GN 474-B10-B8-*	B 10	B 8	16	M 5	46	17	12	8	-	GN 511-M5-16	27
GN 474-B12-B12-*	B 12	B 12	16	M 5	48	17	14	10	10	GN 511-M5-16	25
GN 474-B12-B8-*	B 12	B 8	16	M 5	48	17	14	10	-	GN 511-M5-16	27
GN 474-B15-B10-*	B 15	B 10	20	M 6	58	20.5	17	12	8	GN 511-M6-20	51
GN 474-B15-B12-*	B 15	B 12	20	M 6	58	20.5	17	12	10	GN 511-M6-20	49
GN 474-B15-B15-*	B 15	B 15	20	M 6	58	20.5	17	12	12	GN 511-M6-20	44
GN 474-B16-B12-*	B 16	B 12	20	M 6	59	20.5	18	-	10	GN 511-M6-20	49
GN 474-B16-B16-*	B 16	B 16	20	M 6	59	20.5	18	-	-	GN 511-M6-20	44
GN 474-B20-B15-*	B 20	B 15	25	M 6	65	21.5	22	16	12	GN 511-M6-25	80
GN 474-B20-B16-*	B 20	B 16	25	M 6	65	21.5	22	16	-	GN 511-M6-25	77
GN 474-B20-B20-*	B 20	B 20	25	M 6	65	21.5	22	16	16	GN 511-M6-25	67

Weight ELS